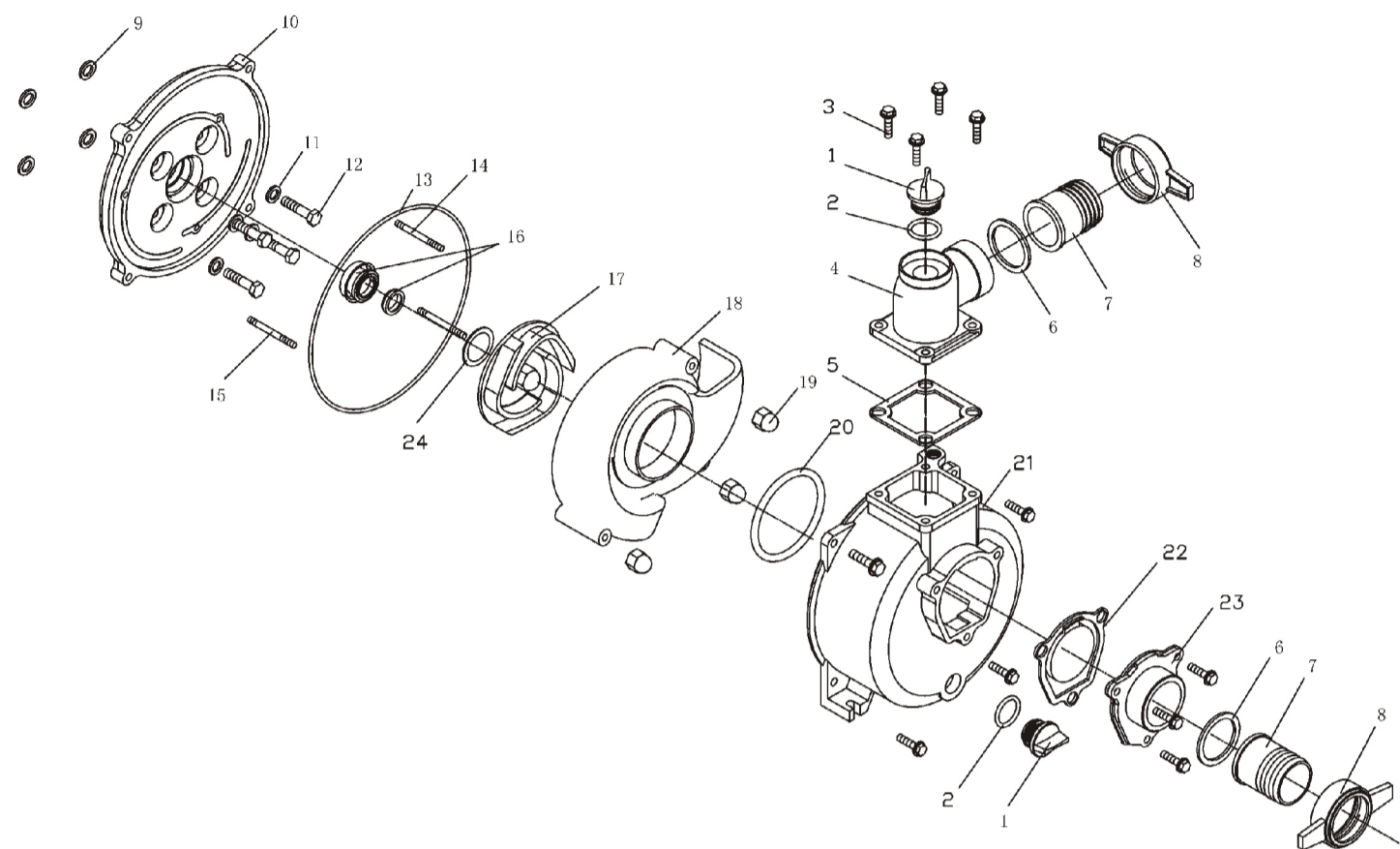


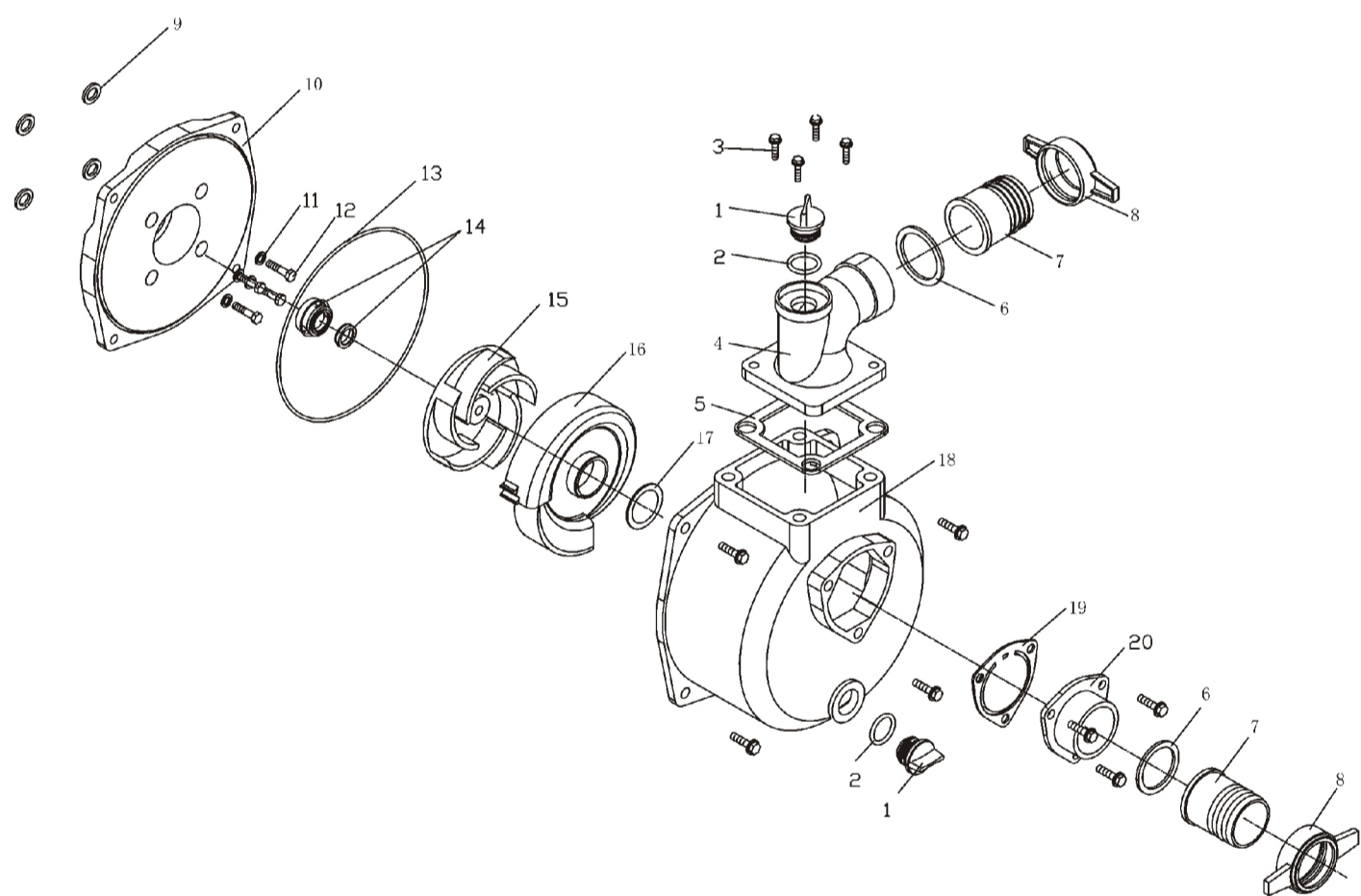
ASSEMBLY AND PARTS ALBUM

KGP20/KDP20



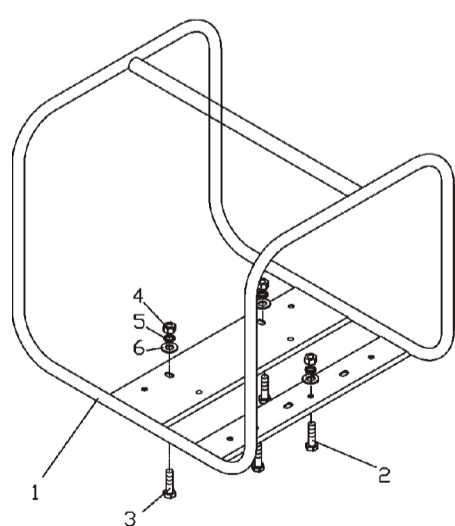
(1) 2" Pump Assembly (50KBZ-01000)

No.	Code.	Description	Qty.
1	50KBZ-01012	Screw Plug	2
2	GB/T3452.1-1992	O-Ring 25.8×3.55	2
3	GB/T5789-1986	Bolt M10×30	12
4	50KBZ-01005	Drained Water Outlet Seat	1
5	50KBZ-01006	Washer of Drained Water Outlet Seat	1
6	50KBZ-01008	Rubber Seal Washer	2
7	50KBZ-01009	Intake (Outlet) Pipe Joint	2
8	50KBZ-01007	Locking Nut	2
9	50KBZ-01015	Adjusting Washer of Pump Cover	4
10	50KBZ-01001	Pump Cover	1
11	50KBZ-01013	Seal Washer	4
12	GB/T5789-1986	Bolt M8×35	4
13	GB/T3452.1-1992	O-Ring 218×3.55	1
14	GB/T900-1988	Stud AM6×40	2
15	GB/T900-1988	Stud AM6×50	1
16	50KBZ-01100	Machine Seal Unit	1
17	50KBZ-01004	Impeller	1
18	50KBZ-01003	Buffer	1
19	GB/T923-1988	Nut	3
20	GB/T3452.1-1992	O-Ring	1
21	50KBZ-01002	Pump Body	1
22	50KBZ-01200	Flap Valve Assembly	1
23	50KBZ-01011	Water Intake Seat	1
24	50KBZ-01016	Impeller Adjusting Washer	1



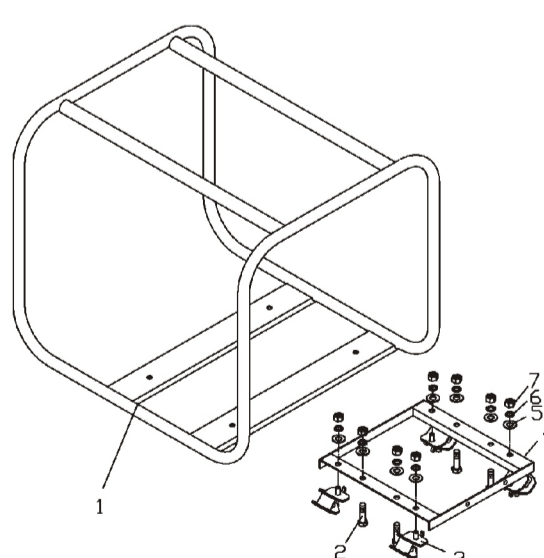
(2) 2" Pump Assembly (50KBZ-01000C)

No.	Code.	Description	Qty.
1	50KBZ-01012C	Screw Plug	2
2	GB/T3452.1-1992	O-Ring 25.8×3.55	2
3	GB/T5789-1986	Bolt M10×30	12
4	50KBZ-01005C	Drained Water Outlet Seat	1
5	50KBZ-01006C	Washer of Drained Water Outlet Seat	1
6	50KBZ-01008C	Rubber Seal Washer	2
7	50KBZ-01009C	Intake (Outlet) Pipe Joint	2
8	50KBZ-01007C	Locking Nut	2
9	50KBZ-01015	Adjusting Washer of Pump Cover	4
10	50KBZ-01001C	Pump Cover	1
11	50KBZ-01013C	Seal Washer	4
12	GB/T5789-1986	Bolt M8×35	4
13	GB/T3452.1-1992	O-Ring 218×3.55	1
14	50KBZ-01100C	Machine Seal Unit	1
15	50KBZ-01004C	Impeller	1
16	50KBZ-01003C	Buffer	1
17	GB/T3452.1-1992	O-Ring 71×5.3	1
18	50KBZ-01002C	Pump Body	1
19	50KBZ-01200C	Flap Valve Assembly	1
20	50KBZ-01011C	Water Intake Seat	1



(3) Housing Assembly (KGP20-03000)

No.	Code.	Description	Qty.
1	50QBZ-01000	Housing	1
2	GB/T5781-1986	Bolt M8×35	2
3	GB/T5781-1986	Bolt M8×30	2
4	GB/T97.1-1985	Gasket 8	4
5	GB/T93-1987	Gasket 8	4
6	GB/T6170-1986	Nut M8	4



(4) Housing Assembly (KDP20-03000)

No.	Code.	Description	Qty.
1	50KBZ-03000	Housing	1
2	GB/T-5781-1986	Bolt M10×40	4
3	50KBZ-02001	Cushion	4
4	50KBZ-04000	Bracket	1
5	GB/T97.1-1985	Gasket 10	8
6	GB/T93-1987	Gasket 10	8
7	GB/T6170-1986	Nut M10	8